

P-117 102943-SE B BOM (Plate Loaded Arm Extension)

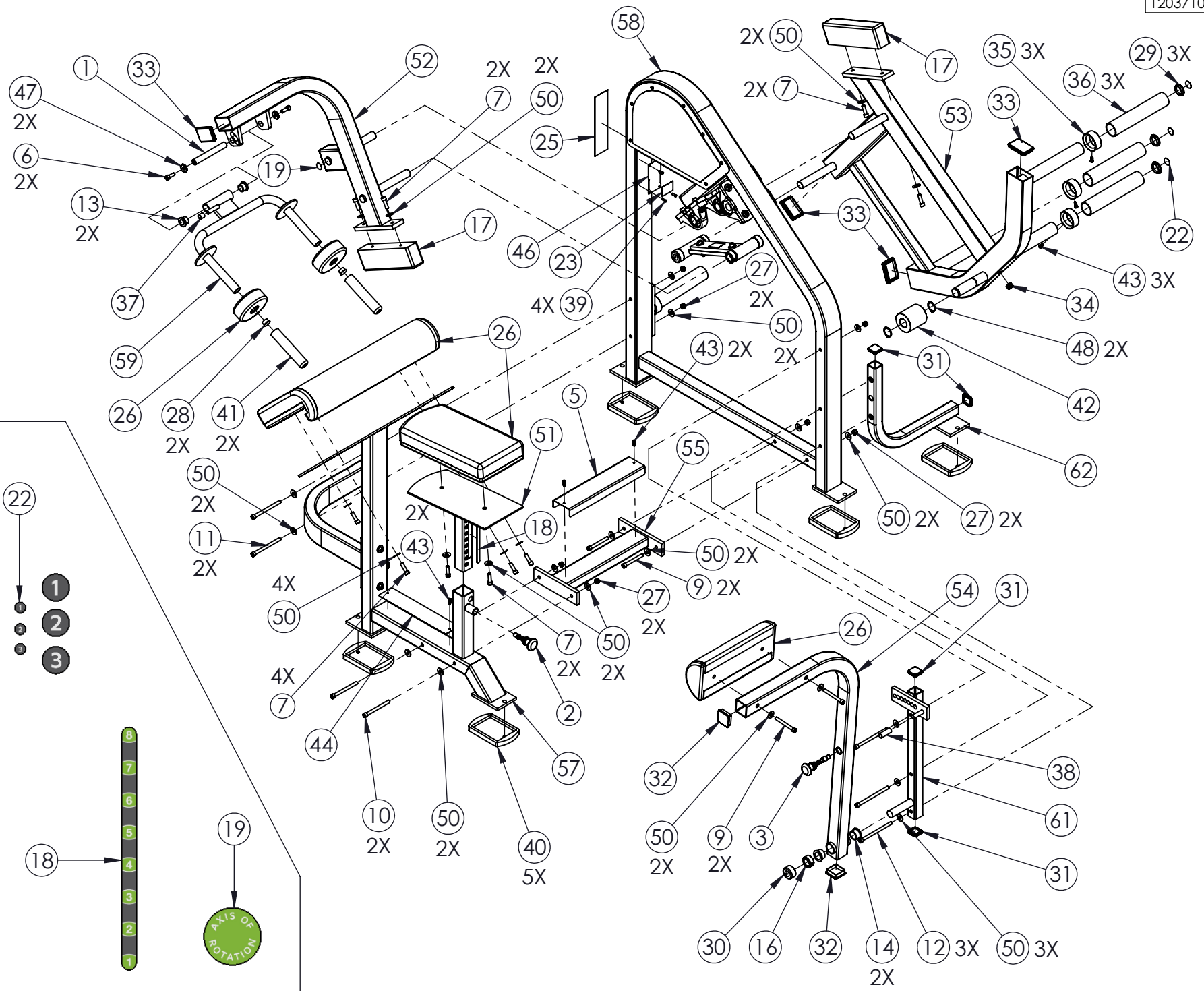
Assy#	102943-SE	ASSY, FINAL, P-117	B			
Item#	Part#	Description	Rev	Qty	Material	Process
0	1203710	DWG, P-117, EXER FRM/TORQUE ARM	A	0.000	DWG	DWG
0	1203711	DWG, P-117, EXER FRM/MISC PARTS	A	0.000	DWG	DWG
0	1203673	DWG, ASSEMBLY KIT, LIST, P-117	A	0.000	DWG	DWG
0	1202389	DWG, INSPECT SHT, P-117	B	0.000	DWG	DWG
0	1203417	DWG, DELIV/INSTAL, P-117	A	0.000	DWG	DWG
0	1203757	DWG, DELIV/INSTAL, WARRANTY ONLY	A	0.000	DWG	DWG
1	103618-SE	*CPO75 , , 5.69*	A	1.000	101075-SE	S/ML
2	1200614	ASSY, POPPER PIN, 0.5x1.5 GREEN	A	1.000	BOM	ASSY
3	1200615	ASSY, POPPER PIN, 0.5x2.13 GREEN	A	1.000	BOM	ASSY
4	102899-SE	BEAR, PILLOW, NYLON, 1 ID BLK	A	4.000	PURCH	PURCH
5	105859-SE	BENT, SHEET, CHAN, 18GA, 1.25x3x14	A	1.000	CS 18Ga.	L/B/P/TFC
6	101820-SE	BOLT, SOCKET, 0.375x1 BL-ZINC	A	2.000	PURCH	PURCH
7	101880-SE	BOLT, SOCKET, 0.375x1.25 BL-ZINC	A	10.000	PURCH	PURCH
8	102567-SE	BOLT, SOCKET, 0.375x1.75 BL-ZINC	A	10.000	PURCH	PURCH
9	101819-SE	BOLT, SOCKET, 0.375x3.25 BL-ZINC	A	6.000	PURCH	PURCH
10	101821-SE	BOLT, SOCKET, 0.375x4.25 BL-ZINC	A	2.000	PURCH	PURCH
11	102200-SE	BOLT, SOCKET, 0.375x4.75 BL-ZINC	A	2.000	PURCH	PURCH
12	103060-SE	BOLT, SOCKET, 0.375x5.5 BL-ZINC	A	3.000	PURCH	PURCH
13	103457-SE	BUSH, OILITE, FLANGE, 0.75 ID	A	2.000	PURCH	PURCH
14	102521-SE	BUSH, OILITE, FLANGE, 1 ID	A	2.000	PURCH	PURCH
15	103408-SE	BUSH, OILITE, FLANGE, 1.02 ID	A	4.000	PURCH	PURCH
16	101602-SE	COLLAR, PLAIN, 1.0 ZINC	A	5.000	PURCH	PURCH
17	102069-SE	CWEIGHT, TAP/VINYL DIP, 18# BLK	A	2.000	1202783	S/MH/DIP
18	1200661	DECAL, ADJ, CHROME 8-1 GREEN	B	1.000	DECAL	PURCH
19	1200656	DECAL, AXIS ROTATION, 1.00 GREEN	B	1.000	DECAL	PURCH
20	104171-SE	DECAL, CAUTION, MOVING PARTS	A	1.000	DECAL	PURCH
21	1200671	DECAL, INSTRUCTIONAL, P-117	A	1.000	DECAL	PURCH
22	1200659	DECAL, KIT, TARM 123 GREY	B	1.000	PURCH	PURCH
23	1202369	DECAL, PRODUCT CODE/COLOR/DATE	A	1.000	DECAL	PRINTER
24	1200678	DECAL, TECH, TA P-101/05/06/10/17	A	1.000	DECAL	PURCHASE
25	106399-SE	DECAL, WARNING, GENERAL, 2.4x9.5	A	1.000	DECAL	PURCH

P-117 102943-SE B BOM (Plate Loaded Arm Extension)

Assy#	102943-SE	ASSY, FINAL, P-117	B			
Item#	Part#	Description	Rev	Qty	Material	Process
26	103932-SE	KIT, UPH, PAD, P-117	B	1.000	PURCH	PURCH
27	101161-SE	NUT, NYLOC, 0.375 BL-ZINC	A	19.000	PURCH	PURCH
28	102523-SE	PLAS, CAP, 0.82 ID BLK	A	2.000	PURCH	PURCH
29	101765-SE	PLAS, CAP, 1.38 ID BLK	A	4.000	PURCH	PURCH
30	1202373	PLAS, CAP, 1.50 ODx0.75 BLK	A	3.000	VC-1500-12	PURCH
31	102544-SE	PLAS, CAP, 11GA, 1.5x1.5 BLK	A	4.000	PURCH	PURCH
32	101011-SE	PLAS, CAP, 11GA, 2x2 BLK	A	2.000	PURCH	PURCH
33	101153-SE	PLAS, CAP, 11GA, 2x3 BLK	A	6.000	PURCH	PURCH
34	101460-SE	PLAS, PLUG, 0.50 BLK	B	1.000	PURCH	PURCH
35	106300-SE	PLAS, STEM DISC, 2.5 ODx1 BLK	A	4.000	PURCH	PURCH
36	102707-SE	PLAS, STEM TUBE, 1.9 ODx9.38 BLK	A	4.000	102975	SUB
37	103496-SE	PLAS, STOP, 0.63 ODx0.63 BLK	A	1.000	102524-SE	CUT
38	101858-SE	PLAS, STOP, 0.63 ODx1.75 BLK	A	1.000	102524-SE	CUT
39	1202364	RIVET, NAIL, #10x0.63 SS	B	4.000	91654A244	PURCH
40	102081-SE	RUB, FOOTPAD, 0.65x4.25x6.38 BLK	B	5.000	PURCH	PURCH
41	102235-SE	RUB, GRIP, 1.05 IDx6 BLK	A	2.000	PURCH	PURCH
42	101140-SE	RUB, STOP, 2.75 ODx3 BLK	A	1.000	102598-SE	S
43	101145-SE	SCREW, S-TAP, TORX, #10x0.75 BL-Z	A	22.000	PURCH	PURCH
44	105860-SE	SHEET, 18GA, 2.5x12.5 BLK	A	1.000	CS 18Ga.	L/P/TFC
45	1200628	SHT, 16GA, COVER, FRM P-101/5/6	A	2.000	CS 16Ga.	L/P
46	1201751	SHT, 24GA, SS, #4, USA SERIAL TAG	A	1.000	24 Ga SS	L/PRINT
47	1200717	SHT, 8GA, SHAFT END CAPS	A	2.000	CS 8Ga.	L/P
48	101817-SE	SNAPRING, EXTERNAL, 1.25 OD	A	2.000	PURCH	PURCH
49	101172-SE	WASH, FLAT, 0.313 BL-ZINC	A	8.000	PURCH	PURCH
50	101162-SE	WASH, FLAT, 0.375 BL-ZINC	A	46.000	PURCH	PURCH
51	106553-SE	WELD, ADJ, SEAT P-101/17/21	A	1.000	BOM	W/P
52	103632-SE	WELD, ARM, EXERCISE P-117	A	1.000	BOM	W/P
53	102922-SE	WELD, ARM, TORQUE P-117	A	1.000	BOM	W/P
54	103968-SE	WELD, BACK REST P-117	A	1.000	BOM	W/P
55	102810-SE	WELD, CROSS BRACE 16.25	A	1.000	BOM	W/P
56	104562-SE	WELD, CROSS SUPPORT, P-101/17	A	1.000	BOM	W/P

P-117 102943-SE B BOM (Plate Loaded Arm Extension)

<b>Assy#</b>	<b>102943-SE</b>	<b>ASSY, FINAL, P-117</b>	<b>B</b>			
<b>Item#</b>	<b>Part#</b>	<b>Description</b>	<b>Rev</b>	<b>Qty</b>	<b>Material</b>	<b>Process</b>
57	102804-SE	WELD, FRM, EXERCISE P101/17	C	1.000	BOM	W/P
58	103486-SE	WELD, FRM, POWER P-117	B	1.000	BOM	W/P
59	103962-SE	WELD, HANDLE P/S-117	A	1.000	BOM	W/P
60	103746-SE	WELD, LINK P-101/17	A	2.000	BOM	W/P
61	103518-SE	WELD, MNT, BACK REST P-117	B	1.000	BOM	W/P
62	1203747	WELD, STABILIZER, 15 X 15, LEFT	A	1.000	BOM	W/P
63	102132-SE	WELD, WGHT PLATE STEM	A	1.000	BOM	W/P

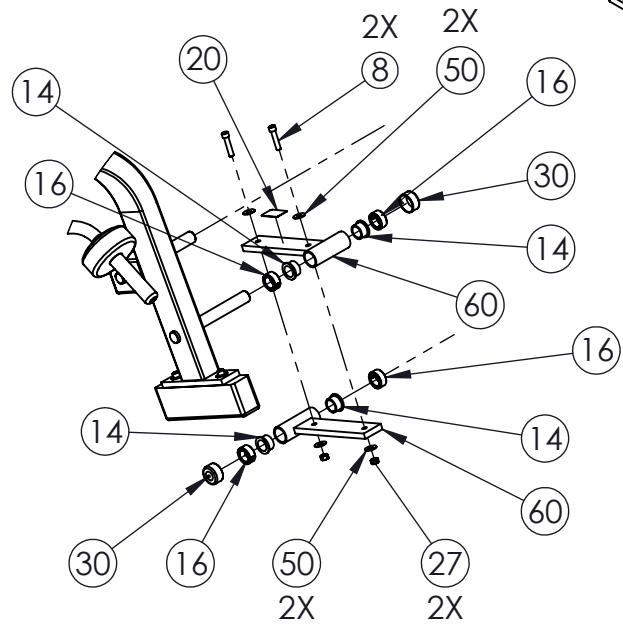
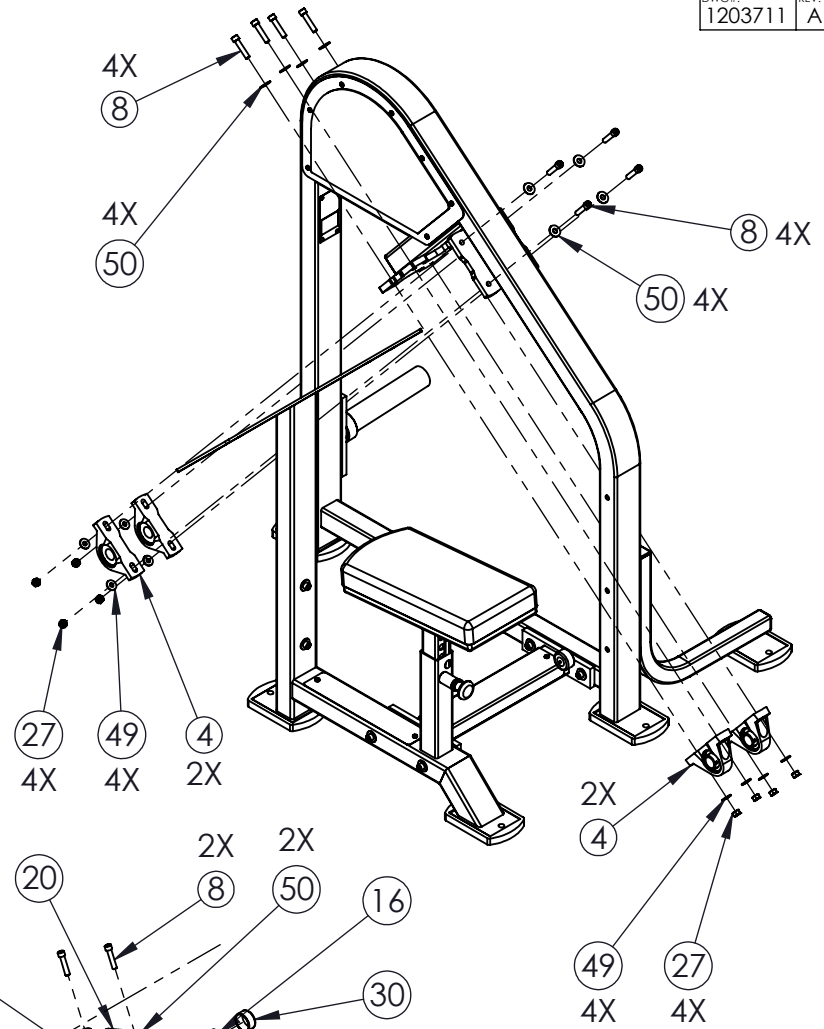
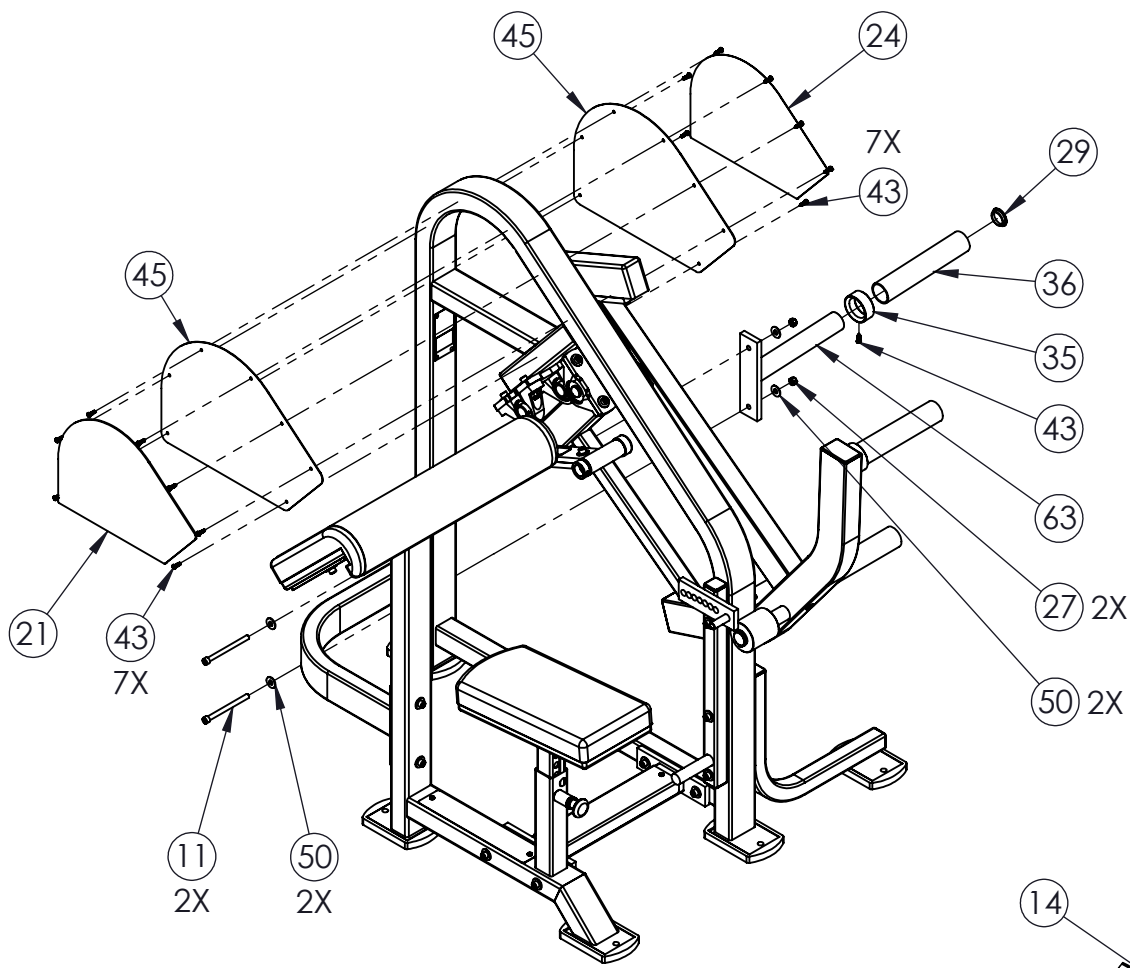


**WARNING**  
 SERIOUS INJURY COULD OCCUR IF THESE PRECAUTIONS ARE NOT OBSERVED.  
 NEVER allow children or inexperienced persons to use the machine without proper instruction on the use of the machine prior to use.  
 1. Read all warnings and adjust proper instruction on the use of the machine prior to use.  
 2. Place a medical exam prior to beginning an exercise program.  
 3. Keep both feet and delivery feet clear of all moving parts.  
 4. Inspect machine prior to use, including all cables, belts and their connections. Do not use if any parts are worn or damaged.  
 5. Do not attempt to fix a broken or jammed machine. Notify Bar staff.  
 6. Use the machine only for the intended use. DO NOT modify the machine.  
 7. FOR PLATE LOADED UNITS: Be certain that the weight plates are fully seated on the weight pins. DO NOT load the weight until the bar is at the end. Bar catches often handle weight plates. DO NOT allow weight plates to come in contact.  
 8. FOR SELECTED UNITS: Be certain that the weight pin is fully inserted. Use only the pin provided in the manufacturer's manual. Do not use additional weight on the weight pin or change position. DO NOT use the machine if found in this condition. Seek assistance from the floor staff.  
 9. DO NOT use dumbbells or other means to unnecessarily increase the weight resistance other than those manufactured.  
 10. DO NOT remove this label. Replace if damaged.

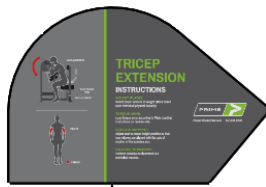
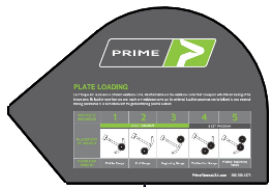
MODEL:  
 FRAME COLOR:  
 WHEEL COLOR:  
 DIM:

DECALS NOT TO SCALE

ARM EXTENSION (P-117) - EXERCISE FRAME AND TORQUE ARM



NOTE: SOME ITEMS REMOVED FOR CLARITY



24

DECALS NOT TO SCALE

21

ARM EXTENSION (P-117) - EXERCISE FRAME AND MISC PARTS